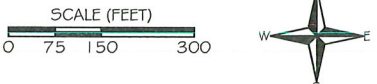


NOTES:
 1. APN BOUNDARIES (FROM MARINMAP.ORG) ARE APPROXIMATE AND FOR GENERAL ILLUSTRATION ONLY.



DESIGNED:	No.	DATE	REVISION	BY	APPROVED
A.R.					
DRAFTED:					
L.S. / H.H.					
CHECKED:					
A.R.					

Stetson Engineers Inc.
 2171 E. Francisco Blvd., Suite K
 San Rafael, CA. 94901
 (415) 457-0701

WORKING DRAFT

BOLINAS COMMUNITY PUBLIC UTILITY DISTRICT
 RESOURCE RECOVERY WELL PROJECT

OVERVIEW MAP

DATE: APRIL 16, 2024
 SCALE: AS INDICATED
 PROJECT No.: 2665-003

SHEET 2 OF 7

F:\DATA\2665\Well Projects (Wharf and RR Wells)\003 - Resource Recovery Well - Temporary Connection\CAD\2024\04_16 Resource Recovery Well Tie-In Figures 1-3 Current V.dwg



NOTES:

- APN BOUNDARIES (FROM MARINMAP.ORG) ARE APPROXIMATE AND FOR GENERAL ILLUSTRATION ONLY.

ABBREVIATIONS:
 AC ASBESTOS CEMENT
 APPROX. APPROXIMATE
 (E) EXISTING

LEGEND:
 - - - (E) POTABLE WATER PIPE (APPROX.)
 - - - (E) RAW WATER PIPE (APPROX.)
 - - - APPROX. PARCEL BOUNDARY

DESIGNED:	No.	DATE	REVISION	BY	APPROVED
A.R.					
DRAFTED:					
L.S. / H.H.					
CHECKED:					
A.R.					

Stetson Engineers Inc.
 2171 E. Francisco Blvd.,
 Suite K
 San Rafael, CA. 94901
 (415) 457-0701

WORKING DRAFT

**BOLINAS COMMUNITY PUBLIC UTILITY DISTRICT
 RESOURCE RECOVERY WELL PROJECT**

SOURCE SITE PLAN

DATE: APRIL 16, 2024
 SCALE: AS INDICATED
 PROJECT No.: 2665-003

**SHEET
 3 OF 7**

F:\DATA\2665\Well Projects (Wharf and RR Wells)\003 - Resource Recovery Well - Temporary Connection\CAD\2024_04_16 Resource Recovery Well
 Title Figures 1-3 Current V.dwg


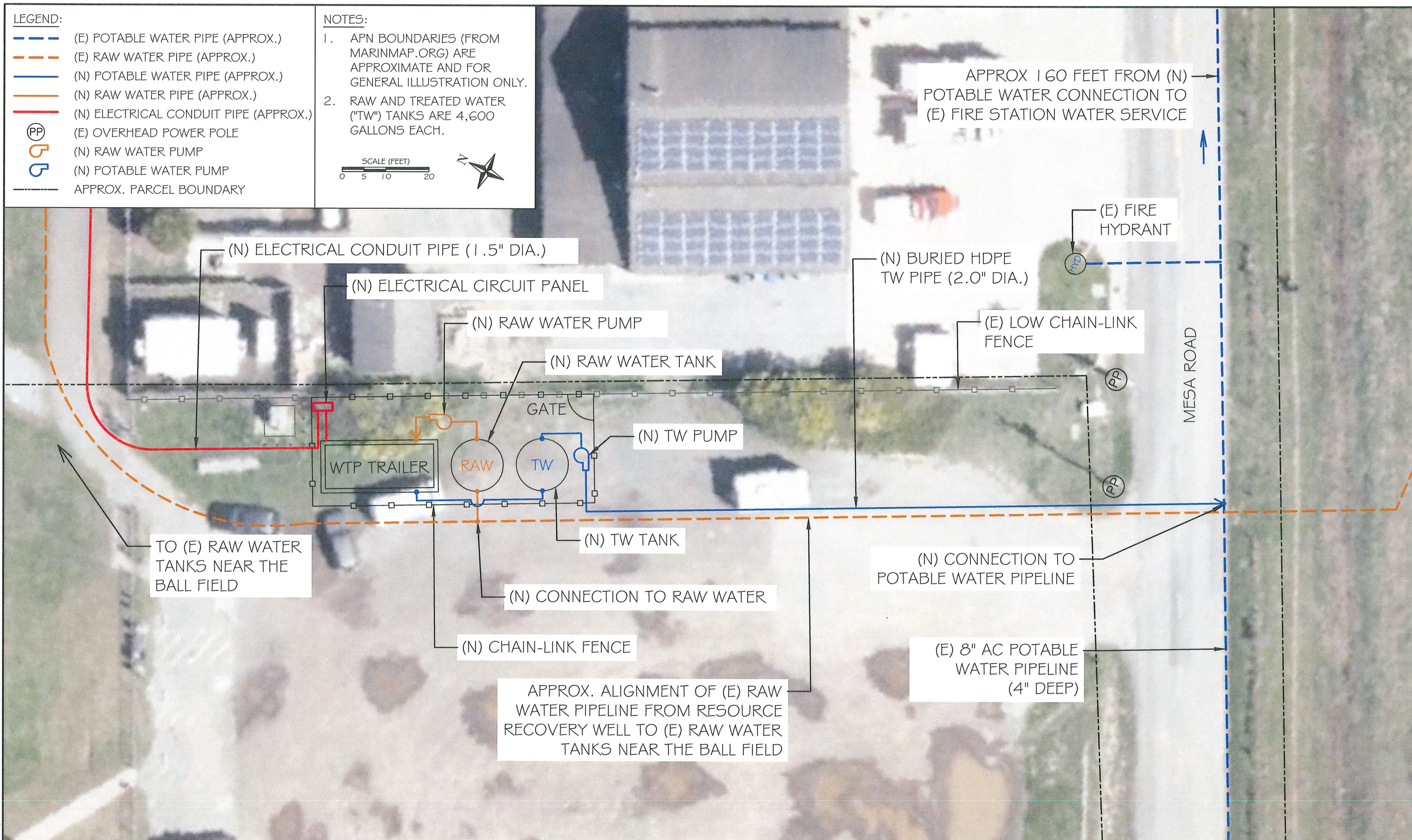
LEGEND:

- (E) POTABLE WATER PIPE (APPROX.)
- (E) RAW WATER PIPE (APPROX.)
- (N) POTABLE WATER PIPE (APPROX.)
- (N) RAW WATER PIPE (APPROX.)
- (N) ELECTRICAL CONDUIT PIPE (APPROX.)
- PP (E) OVERHEAD POWER POLE
- P (N) RAW WATER PUMP
- P (N) POTABLE WATER PUMP
- APPROX. PARCEL BOUNDARY

NOTES:

1. APN BOUNDARIES (FROM MARINMAP.ORG) ARE APPROXIMATE AND FOR GENERAL ILLUSTRATION ONLY.
2. RAW AND TREATED WATER ("TW") TANKS ARE 4,600 GALLONS EACH.

SCALE (FEET)
0 5 10 20

F:\DATA\266\Well Projects (What and RR Wells)\003 - Resource Recovery Well - Temporary Connection\CAD\2024_04_16 Resource Recovery Well Tie-In Figures 1-3 Current V.dwg

DESIGNED:	No.	DATE	REVISION	BY	APPROVED
A.R.					
DRAFTED:					
L.S./H.H.					
CHECKED:					
A.R.					



Stetson Engineers Inc.
2171 E. Francisco Blvd.,
Suite K
San Rafael, CA. 94901
(415) 457-0701

WORKING
DRAFT

BOLINAS COMMUNITY PUBLIC UTILITY DISTRICT
RESOURCE RECOVERY WELL PROJECT

WATER TREATMENT AND TIE-IN
SITE PLAN

DATE:	APRIL 16, 2024
SCALE:	AS INDICATED
PROJECT No.:	2665-003

SHEET
4 OF 7

- LEGEND:**
- (E) POTABLE WATER PIPE (APPROX.)
 - (E) RAW WATER PIPE (APPROX.)
 - (N) POTABLE WATER PIPE (APPROX.)
 - (N) RAW WATER PIPE (APPROX.)
 - (N) ELECTRICAL CONDUIT PIPE (APPROX.)
 - PP (E) OVERHEAD POWER POLE
 - P (N) RAW WATER PUMP
 - P (N) POTABLE WATER PUMP
 - APPROX. PARCEL BOUNDARY

- NOTES:**
1. APN BOUNDARIES (FROM MARINMAP.ORG) ARE APPROXIMATE AND FOR GENERAL ILLUSTRATION ONLY.
 2. RAW AND TREATED WATER ("TW") TANKS ARE 4,600 GALLONS EACH.



CONNECT TO EXISTING ELECTRICAL CIRCUIT PANEL INSIDE EXISTING STORAGE BUILDING

APN: 193-020-59
BOLINAS COMMUNITY
PUBLIC UTILITY DISTRICT

APN: 193-020-45
BOLINAS COMMUNITY
PUBLIC UTILITY DISTRICT

551'

13'

150'

MESA ROAD

189'

F:\DATA\266\Well Projects (Wharf and RR Wells)\003 - Resource Recovery Well - Temporary Connection\CAD\2024_04_16 Resource Recovery Well Tie-In Figures 1-3 Current V.dwg

DESIGNED:	No.	DATE	REVISION	BY	APPROVED
A.R.					
DRAFTED:					
L.S. / H.H.					
CHECKED:					
A.R.					



Stetson Engineers Inc.
2171 E. Francisco Blvd.,
Suite K
San Rafael, CA. 94901
(415) 457-0701

WORKING
DRAFT

BOLINAS COMMUNITY PUBLIC UTILITY DISTRICT
RESOURCE RECOVERY WELL PROJECT

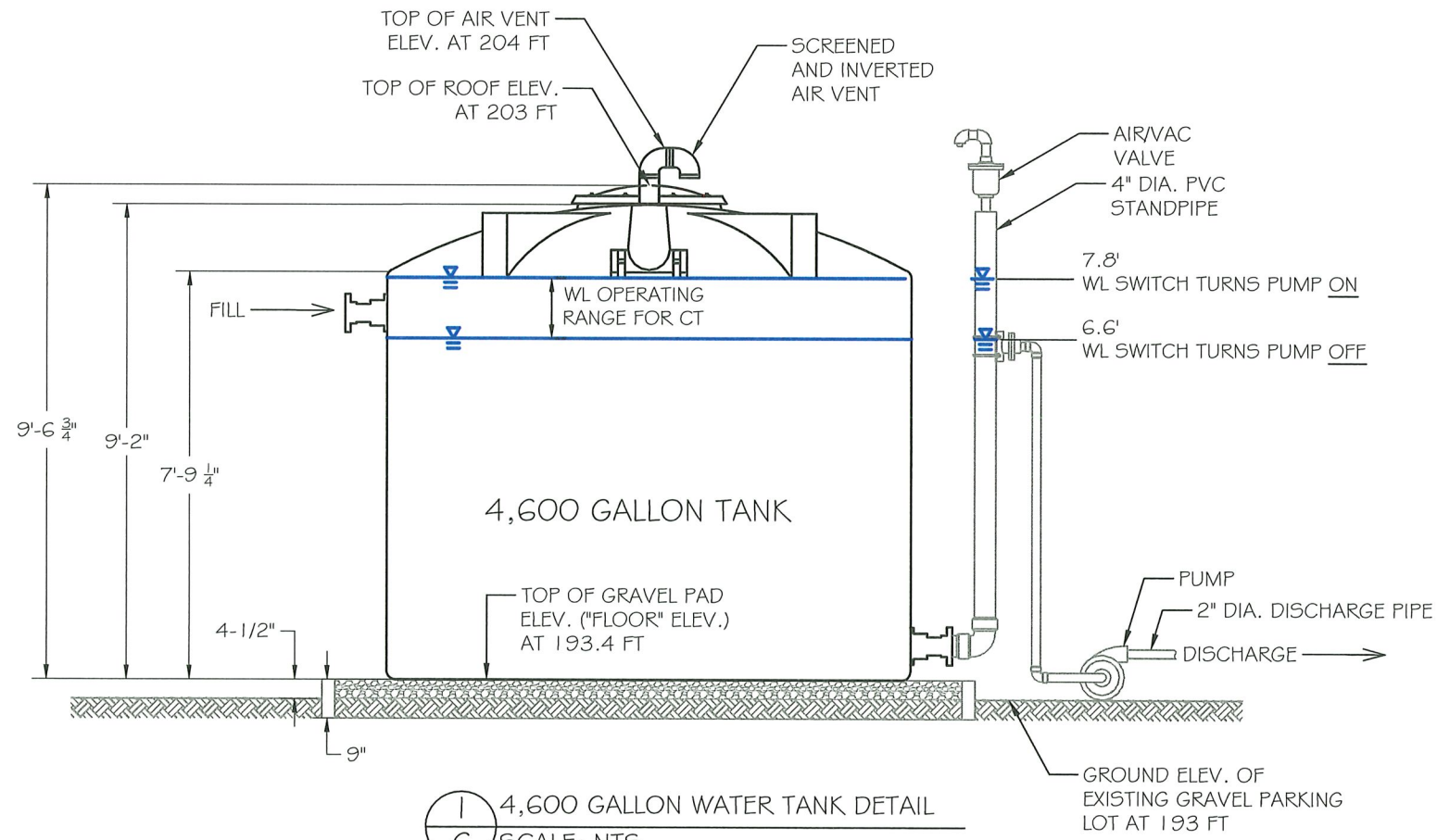
SETBACK DISTANCES FROM
PROPERTY BOUNDARY MAP

DATE:	APRIL 16, 2024
SCALE:	AS INDICATED
PROJECT No.:	2665-003

SHEET
5 OF 7

NOTE

1. THE ELEVATIONS IDENTIFIED ON THIS SHEET ARE APPROXIMATE AND BASED UPON THE SAME DATUM AS GOOGLE EARTH TOPOGRAPHIC DATA.



1
6 4,600 GALLON WATER TANK DETAIL
SCALE: NTS

PHOTO OF ACTUAL 4,600 GALLON TANK INTENDED FOR RAW AND TREATED WATER STORAGE (ANSI/NSF 61)



2
6 4,600 GALLON WATER TANK PHOTO
SCALE: NTS

F:\DATA\2665\Well Projects (Wharf and RR Wells)\003 - Resource Recovery Well - Temporary Connection\CAD\2024.04.16 Resource Recovery Well Tie-In Figures 1-3 Content V.dwg

DESIGNED:	No.	DATE	REVISION	BY	APPROVED
A.R.					
DRAFTED:					
L.S. / H.H.					
CHECKED:					
A.R.					



Stetson Engineers Inc.
2171 E. Francisco Blvd.,
Suite K
San Rafael, CA. 94901
(415) 457-0701

WORKING
DRAFT

BOLINAS COMMUNITY PUBLIC UTILITY DISTRICT
RESOURCE RECOVERY WELL PROJECT

WATER TANK DETAIL

DATE:	APRIL 16, 2024
SCALE:	AS INDICATED
PROJECT No.:	2665-003

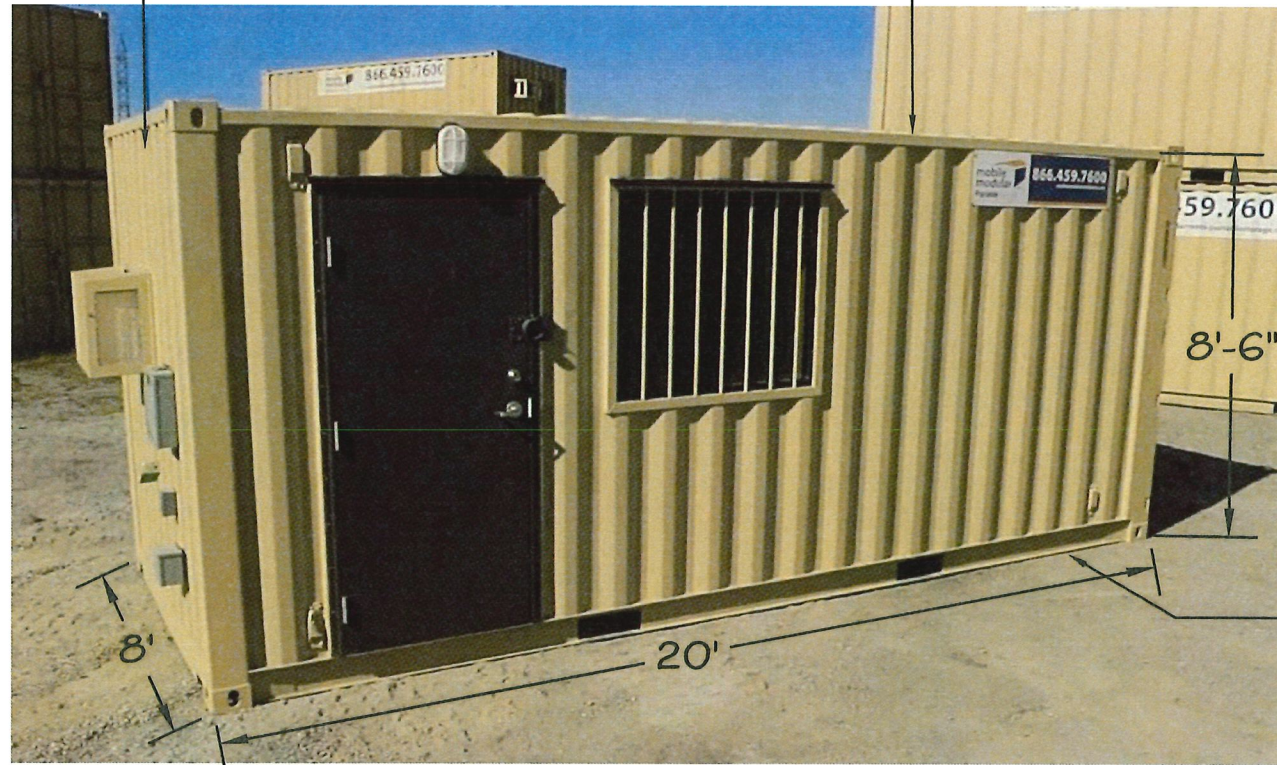
SHEET
6 OF 7

NOTE

1. THE ELEVATIONS IDENTIFIED ON THIS SHEET ARE APPROXIMATE AND BASED UPON THE SAME DATUM AS GOOGLE EARTH TOPOGRAPHIC DATA.

PHOTO OF TYPICAL WATER TREATMENT PLANT TRAILER INTENDED TO STORE WATER TREATMENT EQUIPMENT

TOP OF TRAILER ELEV. APPROX. AT 201.5 FT



GROUND ELEVATION OF EXISTING GRAVEL PARKING LOT AT 193 FT

1 20' WATER TREATMENT PLANT TRAILER
7 SCALE: NTS

F:\DATA\2665\Well Projects\Wharf and RR Wells\003 - Resource Recovery Well - Temporary Connection\CAD\2024_04_16 Resource Recovery Well Title-In-Figures 1-3 Current V.dwg

DESIGNED:	No.	DATE	REVISION	BY	APPROVED
A.R.					
DRAFTED:					
L.S. / H.H.					
CHECKED:					
A.R.					



Stetson Engineers Inc.
2171 E. Francisco Blvd.,
Suite K
San Rafael, CA. 94901
(415) 457-0701

WORKING
DRAFT

BOLINAS COMMUNITY PUBLIC UTILITY DISTRICT
RESOURCE RECOVERY WELL PROJECT

WATER TREATMENT PLANT
TRAILER DETAIL

DATE:	APRIL 16, 2024
SCALE:	AS INDICATED
PROJECT No.:	2665-003

SHEET
7 OF 7

APN: 193-020-59
 BOLINAS COMMUNITY
 PUBLIC UTILITY DISTRICT

APN: 193-020-45
 BOLINAS COMMUNITY
 PUBLIC UTILITY DISTRICT

BALL FIELD TANKS

FIRE STATION

OLEMA BOLINAS ROAD

SHEET 4 EXTENT

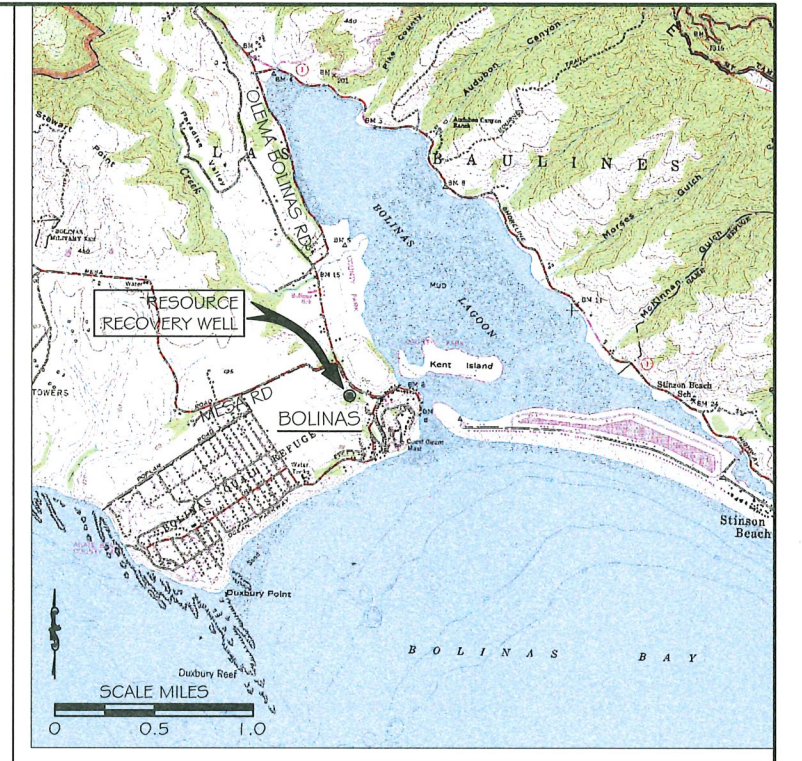
MESA ROAD

SHEET 3 EXTENT

RESOURCE RECOVERY WELL

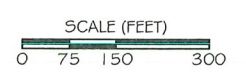
APPROXIMATE LOCATION OF
 EXISTING RAW WATER PIPELINE

APN: 193-030-38
 BOLINAS COMMUNITY
 PUBLIC UTILITY DISTRICT



BOLINAS

NOTES:
 1. APN BOUNDARIES (FROM
 MARINMAP.ORG) ARE
 APPROXIMATE AND FOR
 GENERAL ILLUSTRATION ONLY.



DESIGNED:	No.	DATE	REVISION	BY	APPROVED
A.R.					
DRAFTED:					
L.S. / H.H.					
CHECKED:					
A.R.					



Stetson Engineers Inc.
 2171 E. Francisco Blvd.,
 Suite K
 San Rafael, CA. 94901
 (415) 457-0701

WORKING
 DRAFT

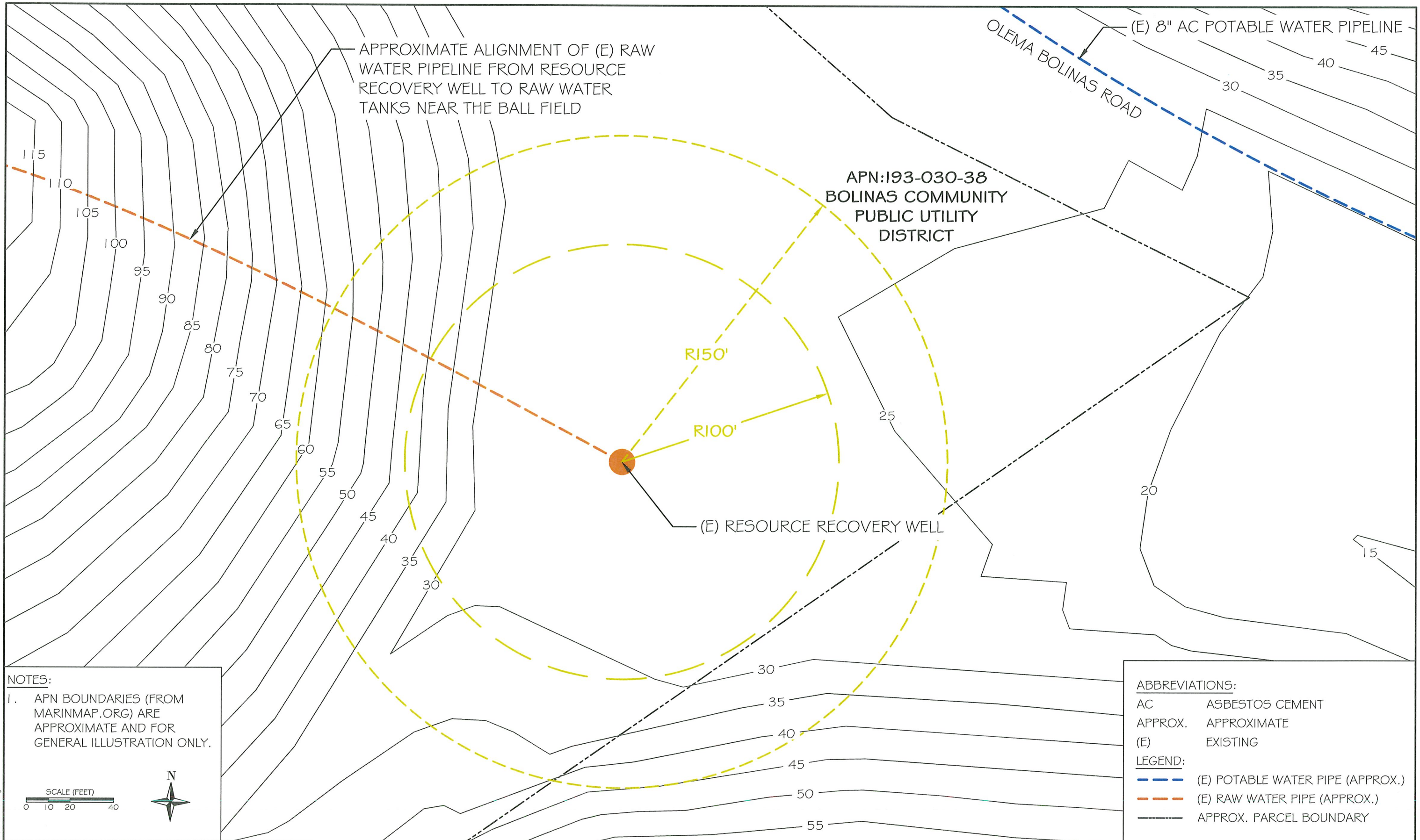
BOLINAS COMMUNITY PUBLIC UTILITY DISTRICT
 RESOURCE RECOVERY WELL PROJECT

OVERVIEW MAP

DATE: APRIL 16, 2024
 SCALE: AS INDICATED
 PROJECT No.: 2665-003

SHEET
 2 OF 7

F:\DATA\2665\Well Projects (Wharf and RR Wells)\003 - Resource Recovery Well - Temporary Connection\CAD\2024\04_16_Resource Recovery Well
 Title Figures 1-3 Current V (No Admin).dwg



APPROXIMATE ALIGNMENT OF (E) RAW WATER PIPELINE FROM RESOURCE RECOVERY WELL TO RAW WATER TANKS NEAR THE BALL FIELD

(E) 8" AC POTABLE WATER PIPELINE
OLEMA BOLINAS ROAD

APN:193-030-38
BOLINAS COMMUNITY
PUBLIC UTILITY
DISTRICT

R150'

R100'

(E) RESOURCE RECOVERY WELL

NOTES:
1. APN BOUNDARIES (FROM MARINMAP.ORG) ARE APPROXIMATE AND FOR GENERAL ILLUSTRATION ONLY.



ABBREVIATIONS:

AC	ASBESTOS CEMENT
APPROX.	APPROXIMATE
(E)	EXISTING

LEGEND:

	(E) POTABLE WATER PIPE (APPROX.)
	(E) RAW WATER PIPE (APPROX.)
	APPROX. PARCEL BOUNDARY

DESIGNED:	A.R.	No.	DATE	REVISION	BY	APPROVED
DRAFTED:	L.S. / H.H.					
CHECKED:	A.R.					

Stetson Engineers Inc.
2171 E. Francisco Blvd.,
Suite K
San Rafael, CA. 94901
(415) 457-0701

WORKING
DRAFT

BOLINAS COMMUNITY PUBLIC UTILITY DISTRICT
RESOURCE RECOVERY WELL PROJECT

SOURCE SITE PLAN

DATE:	APRIL 16, 2024
SCALE:	AS INDICATED
PROJECT No.:	2665-003

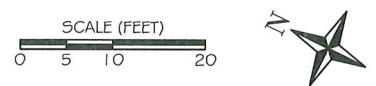
SHEET
3 OF 7

F:\DATA\2665\Well Projects (Wharf and RR Wells)\003 - Resource Recovery Well - Temporary Connection\CAD\2024\04_16_Resource Recovery Well Title Figures 1-3_Current_V (No Aerial).dwg

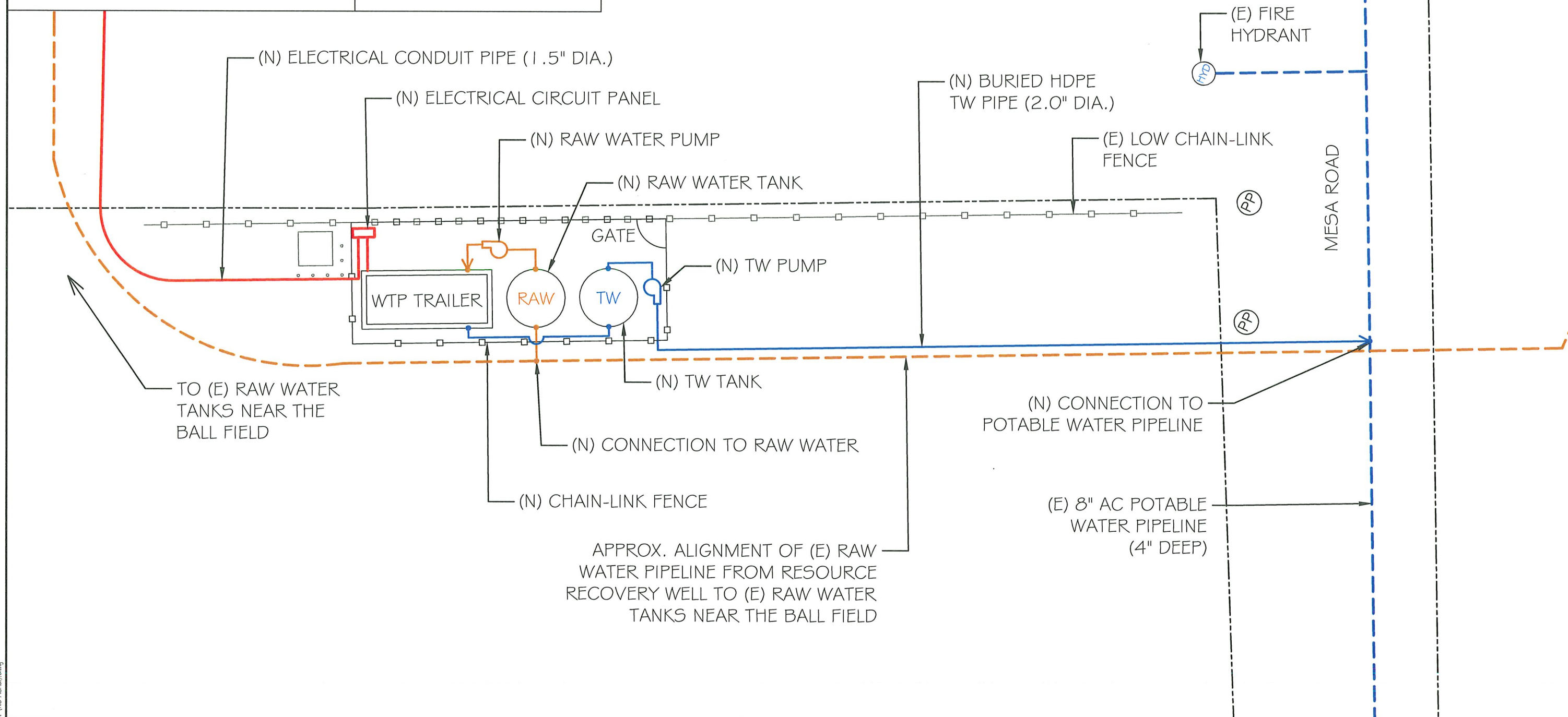
- LEGEND:**
- (E) POTABLE WATER PIPE (APPROX.)
 - (E) RAW WATER PIPE (APPROX.)
 - (N) POTABLE WATER PIPE (APPROX.)
 - (N) RAW WATER PIPE (APPROX.)
 - (N) ELECTRICAL CONDUIT PIPE (APPROX.)
 - PP (E) OVERHEAD POWER POLE
 - P (N) RAW WATER PUMP
 - P (N) POTABLE WATER PUMP
 - - - - - APPROX. PARCEL BOUNDARY

NOTES:

1. APN BOUNDARIES (FROM MARINMAP.ORG) ARE APPROXIMATE AND FOR GENERAL ILLUSTRATION ONLY.
2. RAW AND TREATED WATER ("TW") TANKS ARE 4,600 GALLONS EACH.



APPROX 160 FEET FROM (N) POTABLE WATER CONNECTION TO (E) FIRE STATION WATER SERVICE



F:\DATA\2665\Well Projects (Wharf and RR Wells)\003 - Resource Recovery Well - Temporary Connection\CAD\2024\04_16_Resource Recovery Well Tie-In Figures 1-3 Current V (No Aerial).dwg

DESIGNED:	No.	DATE	REVISION	BY	APPROVED
A.R.					
DRAFTED:					
L.S. / H.H.					
CHECKED:					
A.R.					

Stetson Engineers Inc.
2171 E. Francisco Blvd., Suite K
San Rafael, CA. 94901
(415) 457-0701

WORKING DRAFT

BOLINAS COMMUNITY PUBLIC UTILITY DISTRICT
RESOURCE RECOVERY WELL PROJECT

WATER TREATMENT AND TIE-IN
SITE PLAN

DATE: APRIL 16, 2024
SCALE: AS INDICATED
PROJECT No.: 2665-003

SHEET
4 OF 7

- LEGEND:**
- (E) POTABLE WATER PIPE (APPROX.)
 - (E) RAW WATER PIPE (APPROX.)
 - (N) POTABLE WATER PIPE (APPROX.)
 - (N) RAW WATER PIPE (APPROX.)
 - (N) ELECTRICAL CONDUIT PIPE (APPROX.)
 - PP (E) OVERHEAD POWER POLE
 - P (N) RAW WATER PUMP
 - P (N) POTABLE WATER PUMP
 - APPROX. PARCEL BOUNDARY

- NOTES:**
1. APN BOUNDARIES (FROM MARINMAP.ORG) ARE APPROXIMATE AND FOR GENERAL ILLUSTRATION ONLY.
 2. RAW AND TREATED WATER ("TW") TANKS ARE 4,600 GALLONS EACH.



CONNECT TO EXISTING ELECTRICAL CIRCUIT PANEL INSIDE EXISTING STORAGE BUILDING

APN: 193-020-59
BOLINAS COMMUNITY
PUBLIC UTILITY DISTRICT

APN: 193-020-45
BOLINAS COMMUNITY
PUBLIC UTILITY DISTRICT

55'

13'

150'

189'

MESA ROAD

F:\DATA\2665\Well Projects (Wharf and RR Wells)\003 - Resource Recovery Well - Temporary Connection\CAD\2024_04_16_Resource Recovery Well Tie-In Figures 1-3_Curent V (No Aerial).dwg

DESIGNED:	No.	DATE	REVISION	BY	APPROVED
A.R.					
DRAFTED:					
L.S. / H.H.					
CHECKED:					
A.R.					



Stetson Engineers Inc.
2171 E. Francisco Blvd.,
Suite K
San Rafael, CA. 94901
(415) 457-0701

WORKING
DRAFT

BOLINAS COMMUNITY PUBLIC UTILITY DISTRICT
RESOURCE RECOVERY WELL PROJECT

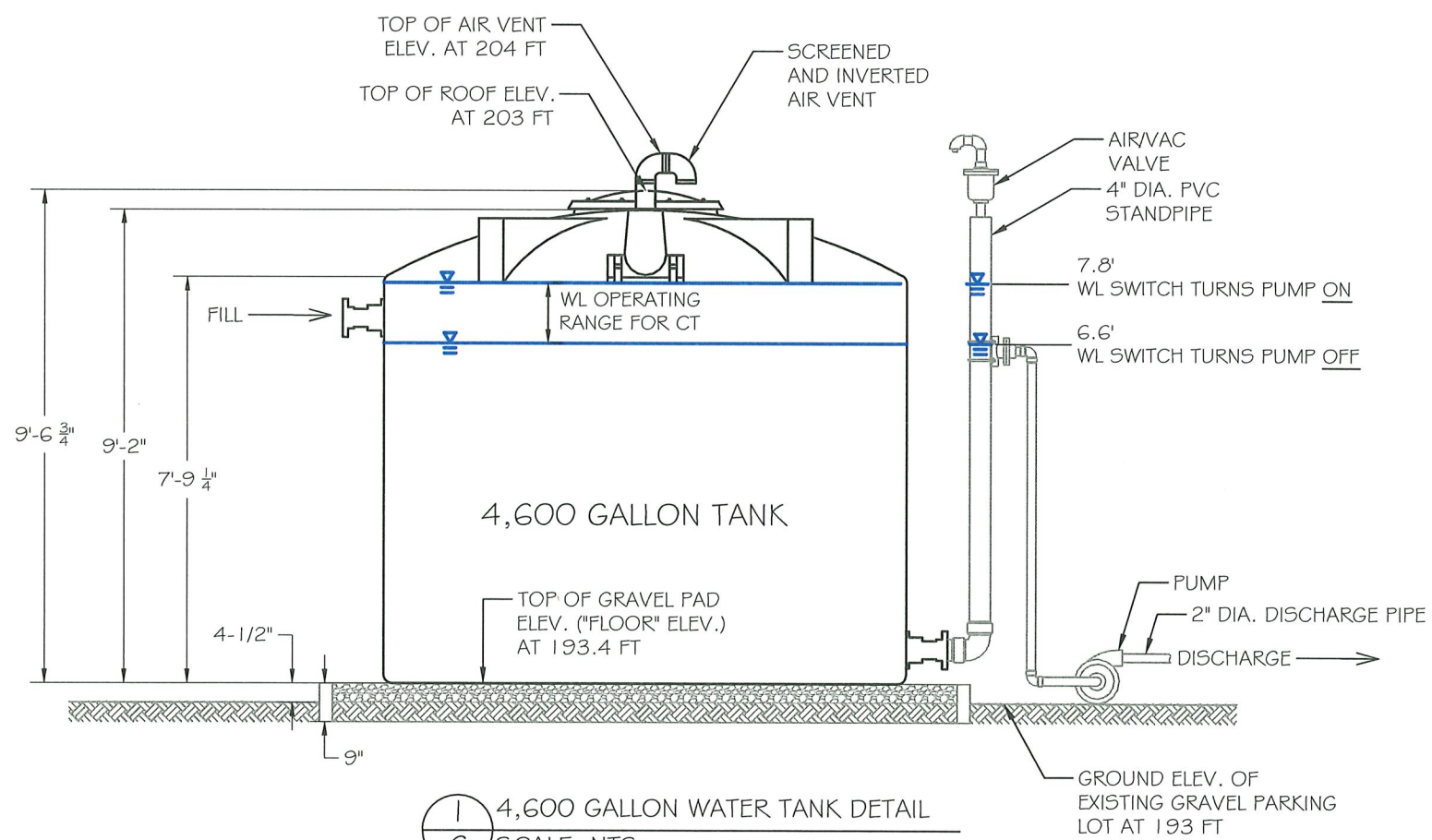
SETBACK DISTANCES FROM
PROPERTY BOUNDARY MAP

DATE: APRIL 16, 2024
SCALE: AS INDICATED
PROJECT No.: 2665-003

SHEET
5 OF 7

NOTE

1. THE ELEVATIONS IDENTIFIED ON THIS SHEET ARE APPROXIMATE AND BASED UPON THE SAME DATUM AS GOOGLE EARTH TOPOGRAPHIC DATA.



1
6 4,600 GALLON WATER TANK DETAIL
SCALE: NTS

PHOTO OF ACTUAL 4,600 GALLON TANK INTENDED FOR RAW AND TREATED WATER STORAGE (ANSI/NSF 6.1)



2
6 4,600 GALLON WATER TANK PHOTO
SCALE: NTS

F:\DATA\2665\Well Projects (Wharf and RR Wells)\003 - Resource Recovery Well - Temporary Connection\CAD\2024_04_16 Resource Recovery Well Tie-in Figures 1-3 Current V (No Aerial).dwg

DESIGNED:	A.R.	No.	DATE	REVISION	BY	APPROVED
DRAFTED:	L.S. / H.H.					
CHECKED:	A.R.					



Stetson Engineers Inc.
2171 E. Francisco Blvd.,
Suite K
San Rafael, CA. 94901
(415) 457-0701

WORKING
DRAFT

BOLINAS COMMUNITY PUBLIC UTILITY DISTRICT
RESOURCE RECOVERY WELL PROJECT

WATER TANK DETAIL

DATE:	APRIL 16, 2024
SCALE:	AS INDICATED
PROJECT No.:	2665-003

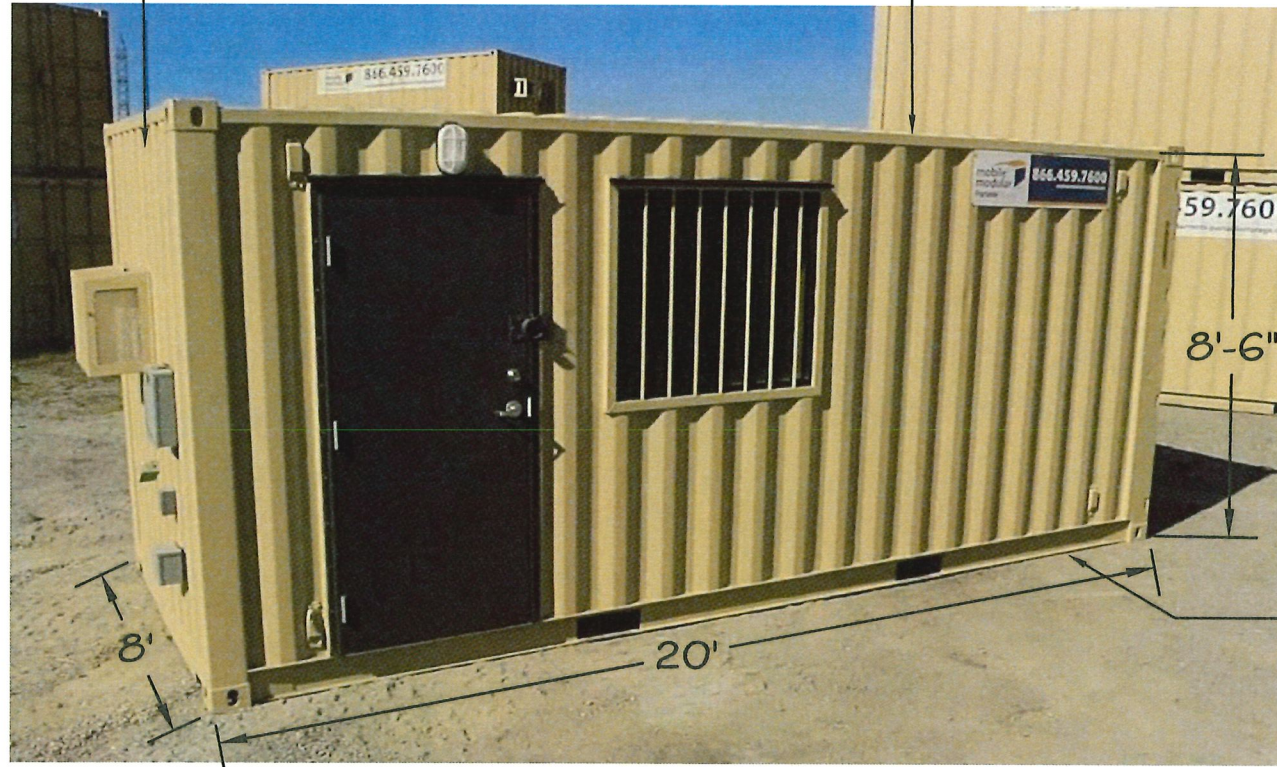
SHEET
6 OF 7

NOTE

1. THE ELEVATIONS IDENTIFIED ON THIS SHEET ARE APPROXIMATE AND BASED UPON THE SAME DATUM AS GOOGLE EARTH TOPOGRAPHIC DATA.

PHOTO OF TYPICAL WATER TREATMENT PLANT TRAILER INTENDED TO STORE WATER TREATMENT EQUIPMENT

TOP OF TRAILER ELEV. APPROX. AT 201.5 FT



GROUND ELEVATION OF EXISTING GRAVEL PARKING LOT AT 193 FT

1 20' WATER TREATMENT PLANT TRAILER
7 SCALE: NTS

F:\DATA\2665Well Projects (Wharf and RR Wells)\003 - Resource Recovery Well - Temporary Connection\CAD\2024_04_16 Resource Recovery Well Tie-in Figures 1-3 Current V (No Aerial).dwg

DESIGNED:	No.	DATE	REVISION	BY	APPROVED
A.R.					
DRAFTED:					
L.S./H.H.					
CHECKED:					
A.R.					



Stetson Engineers Inc.
2171 E. Francisco Blvd.,
Suite K
San Rafael, CA. 94901
(415) 457-0701

WORKING
DRAFT

BOLINAS COMMUNITY PUBLIC UTILITY DISTRICT
RESOURCE RECOVERY WELL PROJECT

WATER TREATMENT PLANT
TRAILER DETAIL

DATE:	APRIL 16, 2024
SCALE:	AS INDICATED
PROJECT No.:	2665-003

SHEET
7 OF 7